

BIC TRADING CO.

<http://en.bictrading.co.kr/>



Company Identity

BIC TRADING is a company that pursues bilateral innovation, creation, and specialized in manufacturing ceramic kitchen utensil and cookware which are designed for health, convenience, flavor.



We are ready to present you certified products in safety, performance, regulatory compliance, and wish to be one of your leading partners who can share ongoing trends, idea, feedback, and value with you.

Hope you find your flavor on your life.

2021 HOMEWARE SALES PROMOTION



**1 Cookware (Either Frypan or Wok)
+ 1 Plate (Round shape)**



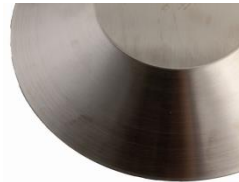
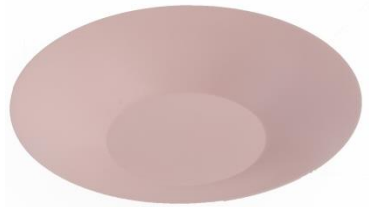
BIO CERAMIC COOKWARE [RED CLAY + BAMBOO CHARCOAL]



Heavy Metal	N.D
PFOA/PFOS	N.D
Abrasion Resistance	≥200,000 times
Non-Stick (Pre-heating)	63 eggs (6 cycle + 3 eggs)
Gloss	61-62°
Crack	OK
Pencil Hardness	9H
Adhesion	25/25
Far-Infrared Rate	95%
Anti-bacterial	≥99.9%
Deodorization	≤100PPM / 2Litre



BIO CERAMIC PLATE [RED CLAY + BAMBOO CHARCOAL]



Heavy Metal	N.D
PFOA/PFOS	N.D
Abrasion Resistance	≥200,000 times
Non-Stick (Pre-heating)	63 eggs (6 cycle + 3 eggs)
Gloss	61-62°
Crack	OK
Pencil Hardness	9H
Adhesion	25/25
Far-Infrared Rate	95%
Anti-bacterial	≥99.9%
Deodorization	≤100PPM / 2Litre



PACKAGE SET

CHEFMEDAL



* 2021 promotion package includes a bio ceramic cookware (either 28cm Frypan or 26cm Wok), a bio ceramic kitchen utensil (22cm round plate)

PACKAGE SET

CHEFMEDAL



* 2021 promotion package includes a bio ceramic cookware (either 28cm Frypan or 26cm Wok), a bio ceramic kitchen utensil (22cm round plate)

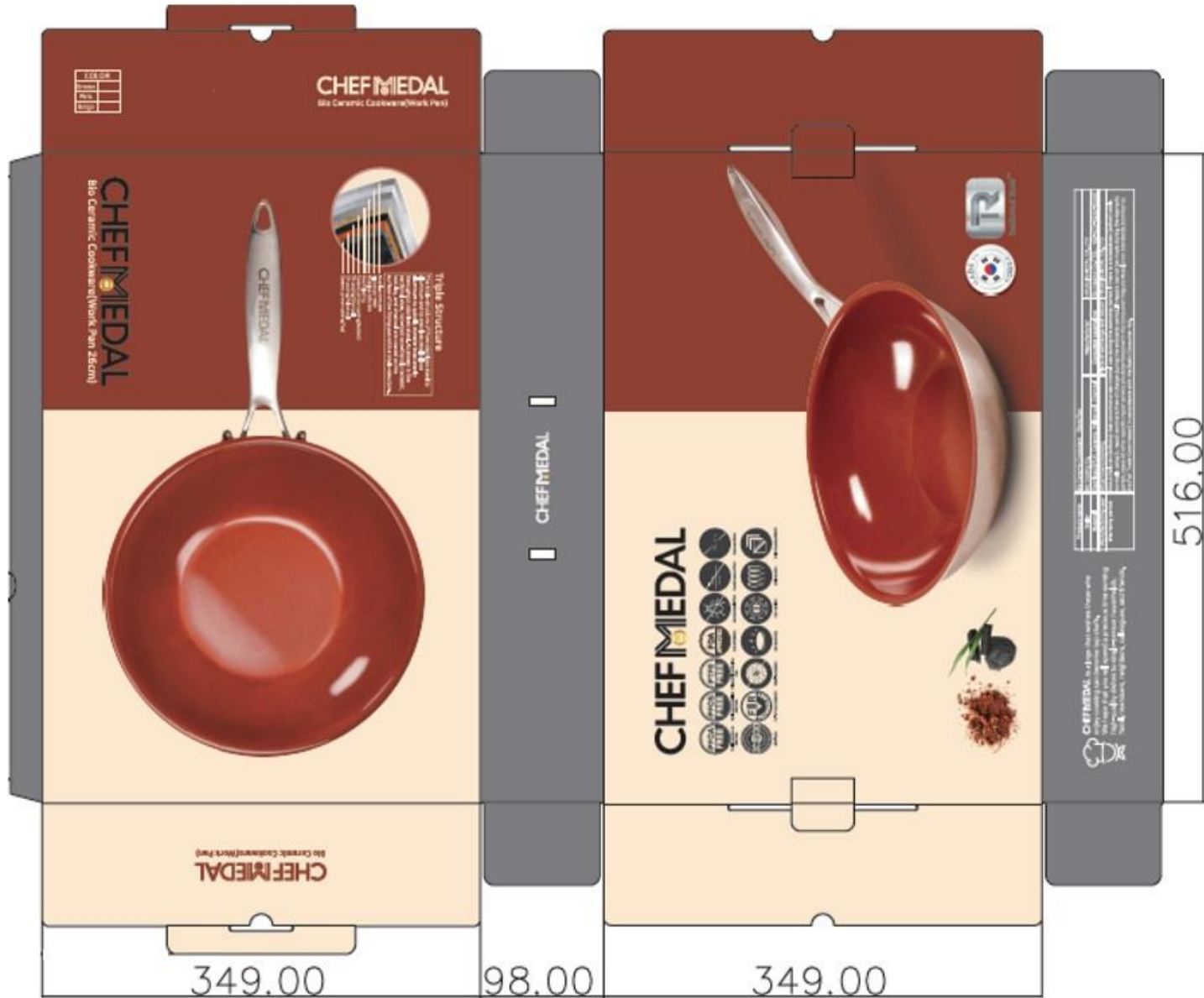
PACKAGE SET

CHEFMEDAL



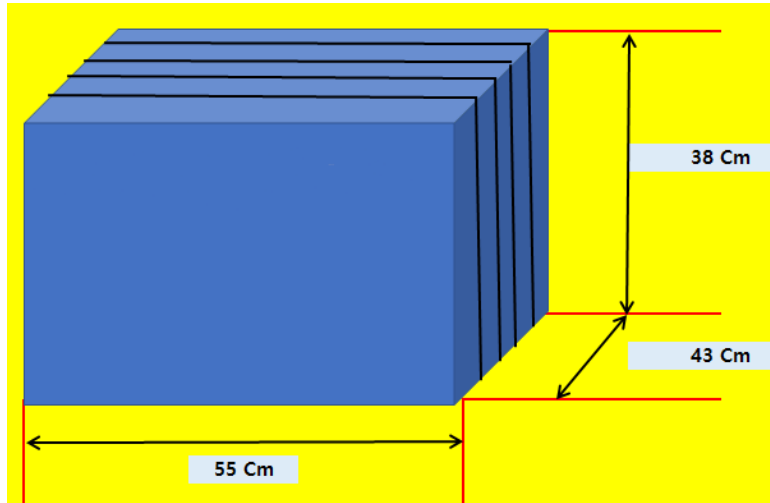
* 2021 promotion package includes a bio ceramic cookware (either 28cm Frypan or 26cm Wok), a bio ceramic kitchen utensil (22cm round plate)

Wok Package (unit : mm)

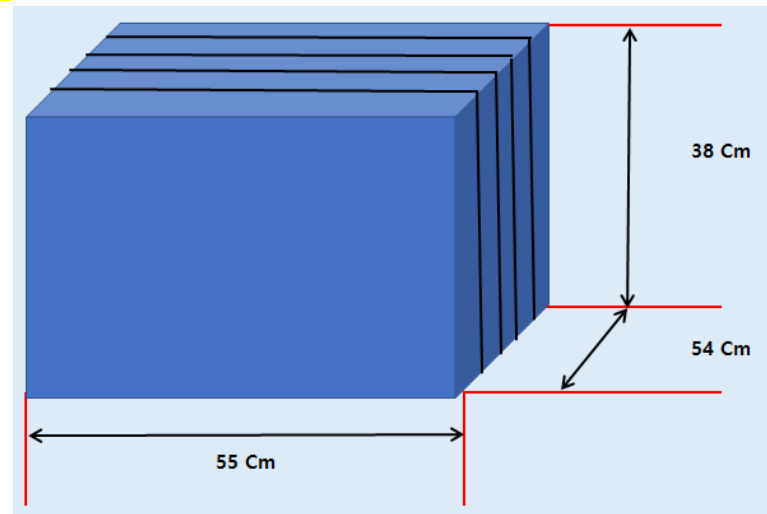


Outbox dimension

Frypan x 5pcs / 1box



Wok x 5pcs / 1box



Outbox images



Certificates of Regulatory Compliance

Technical Report No. 68.402.20.0432.01
Rev. 01
Dated 2020-06-16

Client: BIC TRADING
Address: Gi-206, Lotte Castle, 347, Jong-ro, Jongno-gu, Seoul, Republic of Korea
Attn: Lee, Sang-won

Sample Description: Bio Ceramic Cookware
Model No.: CHEF MEDAL
Country of origin: Republic of Korea
Exported to: U. S. A.

Sample Received Date: 2020-06-08
Test Period: From 2020-06-08 to 2020-06-11

Location of Testing: TÜV SÜD Certification and Testing (China) Co., Ltd. Shenzhen Branch

Purpose of examination: As specified by client, to test the regulated by the U.S. F.D.A. 21 CFR 171.100-171.105 except 171.100 and 171.101, Section 171.102-171.104 and 171.106-171.107, Code of Federal Regulation; part 1303 of Consumer Product Safety Commission of U.S.A. Title 16, Code Refer to following projects:

Test Result: The result relates only to the items tested.

Remark: TÜV SÜD Certification and Testing (China) Co., Ltd. Shenzhen Branch
TÜV SÜD Group

Prepared by: Elsa Deng
Reviewed by: Scarlett Liang
Designated Reviewer

The information contained herein is confidential and intended solely for the individual named. This information shall not be disseminated, reproduced, copied, stored in a retrieval system, or used in any manner whatsoever without the prior written permission of TÜV SÜD Certification and Testing (China) Co., Ltd. Shenzhen Branch. For further details, please see TÜV SÜD Certification and Testing (China) Co., Ltd. Shenzhen Branch. Tel: (86) 755 88282888
TÜV SÜD Group Tel: (49) 7932 3400
Helmholtzstr. 1, 91054 Erlangen, Germany Fax: (49) 7932 340100
Helmholtzstr. 2, 91054 Erlangen, Germany Fax: (49) 7932 3402000
Shenzhen 518002, P. R. China

Page 1 of 6

FDA

Technical Report No. 68.402.20.1252.01
Rev. 00
Dated 2020-12-16

Client: BIC TRADING
Address: Gi-206, Lotte Castle, 347, Jong-ro, Jongno-gu, Seoul, Republic of Korea
Attn: Mr. Lee, Sang-won

Sample Description: Bio Ceramic Cookware
Model No.: CHEF MEDAL

Sample Received Date: 2020-12-02
Test Period: From 2020-12-02 to 2020-12-15

Location of Testing: TÜV SÜD Certification and Testing (China) Co., Ltd. Shenzhen Branch

Purpose of examination: As specified by client, to test as regulated by the German Food & Feed Acts LFGB (§ 58 & 31) and Regulation (EC) No. 1831/2003

Test Result: Refer to following projects

Remark: The result relates only to the items tested.

Prepared by: Elsa Deng
Reviewed by: Scarlett Liang
Designated Reviewer

The information contained herein is confidential and intended solely for the individual named. This information shall not be disseminated, reproduced, copied, stored in a retrieval system, or used in any manner whatsoever without the prior written permission of TÜV SÜD Certification and Testing (China) Co., Ltd. Shenzhen Branch. For further details, please see TÜV SÜD Certification and Testing (China) Co., Ltd. Shenzhen Branch. Tel: (86) 755 88282888
TÜV SÜD Group Tel: (49) 7932 3400
Helmholtzstr. 1, 91054 Erlangen, Germany Fax: (49) 7932 3401000
Helmholtzstr. 2, 91054 Erlangen, Germany Fax: (49) 7932 3402000
Shenzhen 518002, P. R. China

Page 1 of 6

LFGB

CERTIFICATE
of
Quality Management System
of
BIC TRADING Co.
Rm. 206, 2F, Gikong, 347, Jong-ro, Jongno-gu, Seoul, Korea

complies with the requirements of
ISO 9001:2015
This certificate is valid concerning all activities related to:

For the Scope of
Manufacture and Sale of Kitchenware Cooking Utensils

Certificate Valid Date: 22-Dec-2020 - 21-Dec-2023
Certificate No.: ES-KQ-0152
Date of Initial Approval: 22-Dec-2020
Date of Issue: 22-Dec-2020

by *Patrick Ivan Young*
President

INTERNATIONAL TECHNOLOGY STANDARD CERTIFICATION
115, West 17th Street, New York, NY 10011, USA
www.itscert.com

IAS IAF IAP

This certificate is the property of ITS Inc. and shall be returned on request by ITS

Version 1.4

ISO 9001:2015



BIC TRADING CO.

Address : RM#206, Gi-dong, Lotte Castle, 347, Jong-ro, Jongro-gu, Seoul, Korea

Email : bic-trading@naver.com /Tel : 070-8240-6009/ Fax : 070-4015-6009

